

Pier BH Table - FHPL3636/4242/4848

Product Documentation



This document includes:

01

Assembly Instructions

06

Installation Instructions

11

Disassembly Instructions

13

End of Life Recovery Options

Pier BH Table - FHPL3636/4242/4848

Assembly Instructions



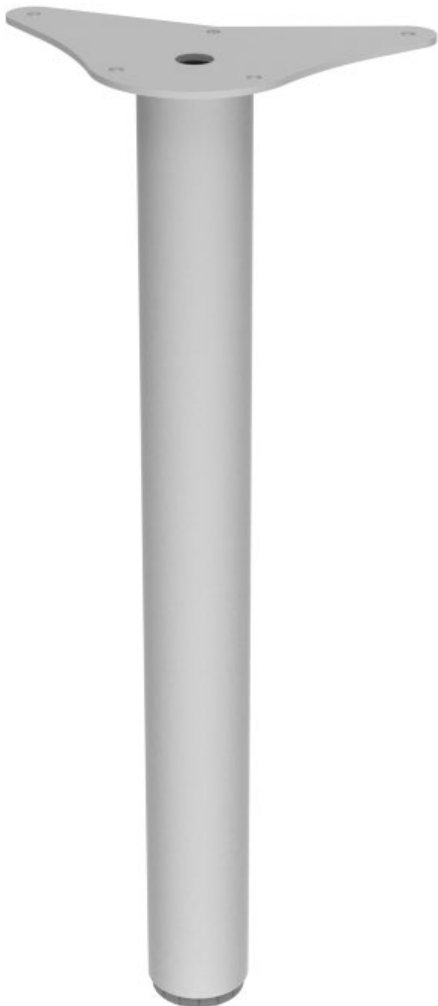
Assembly Instructions

Pier BH Table

Parts Included

*If your shipment does not contain all the parts listed below, please contact Stance Healthcare Customer Support via phone at 1.877.395.2623 or online at www.stancehealthcare.com/Contact

01112FHPL29H , Table Leg, **4X**



042134242BHPL-U-MA2 , Table Top, **1X**



001310714 , 5/16"-18X1" Pin-In Hex Screw, **20X**



Required Tools

Power Drill (not supplied)



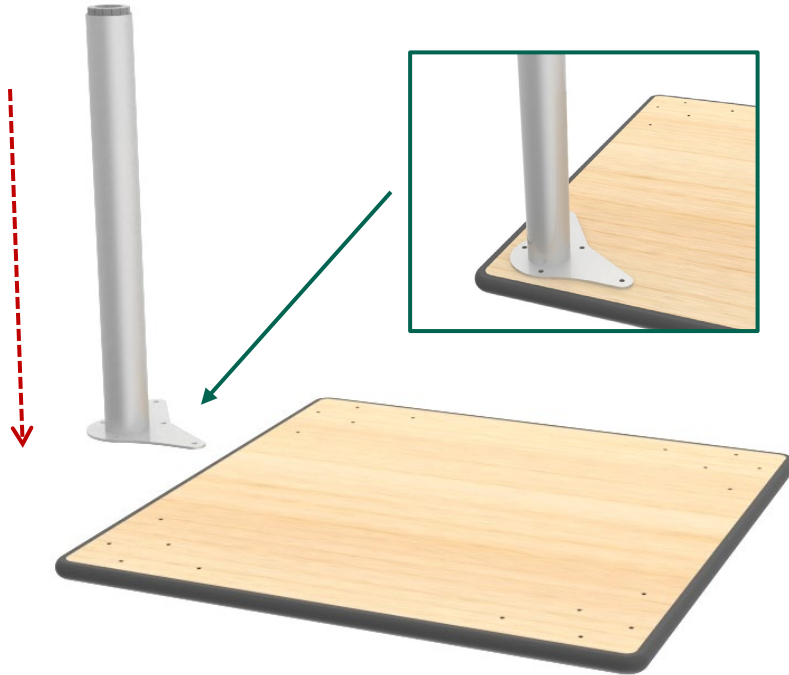
Hex Pin-In Bit (supplied)



Assembly Instructions

Pier BH Table

Step 1

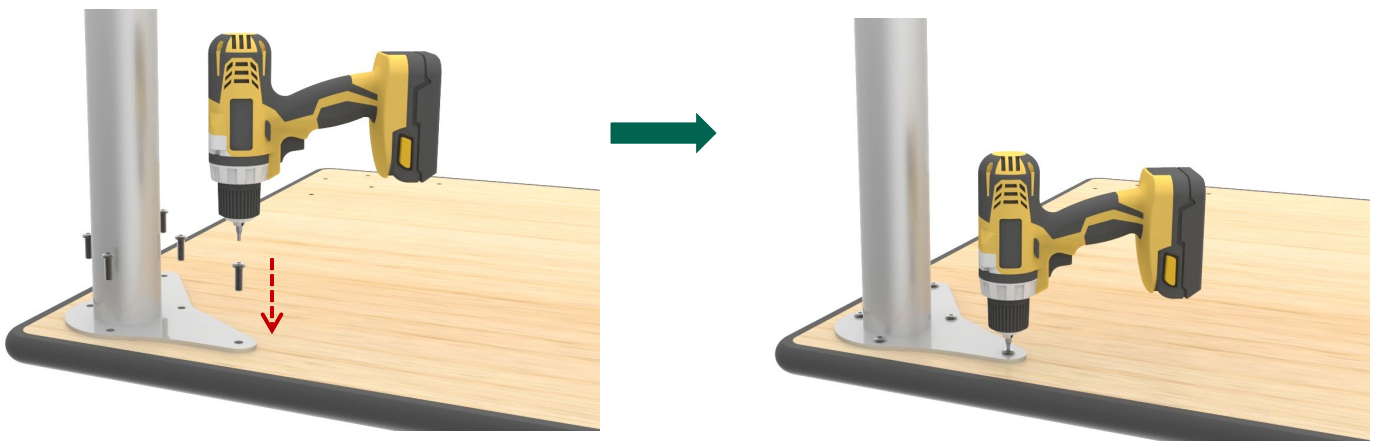


Flip the table onto a flat surface with the inserts exposed. Place the leg onto the table top matching the holes in the bracket to the table.

* To prevent damage to the table top place a protective layer between the table top and the ground, e.g. drop cloth, cardboard or plastic.

Step 2

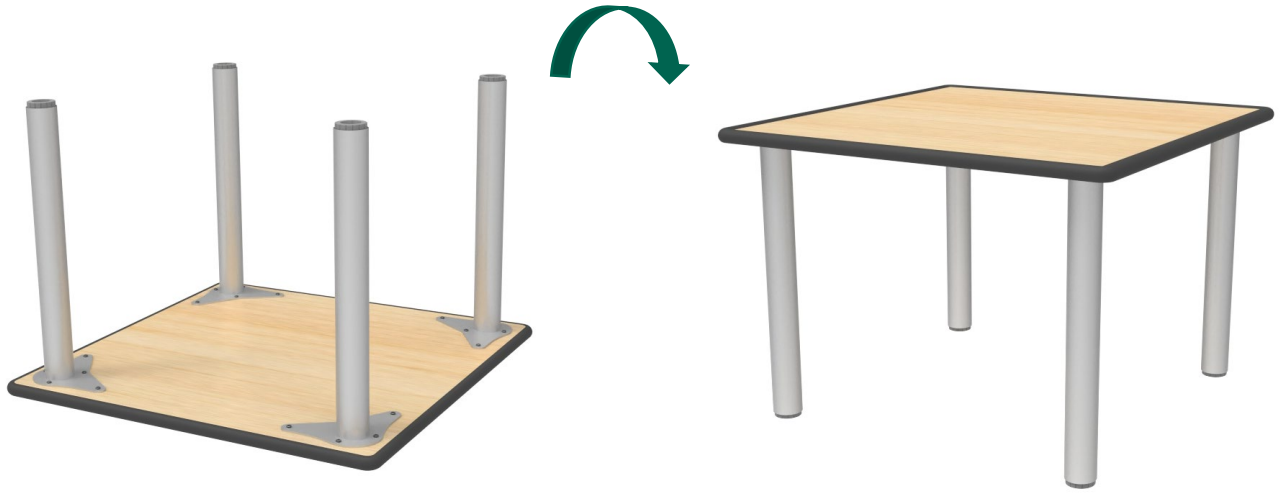
Fasten the leg to the top at all 5 mounting locations using the screws and drill bit provided. Ensure all screws are fastened securely.



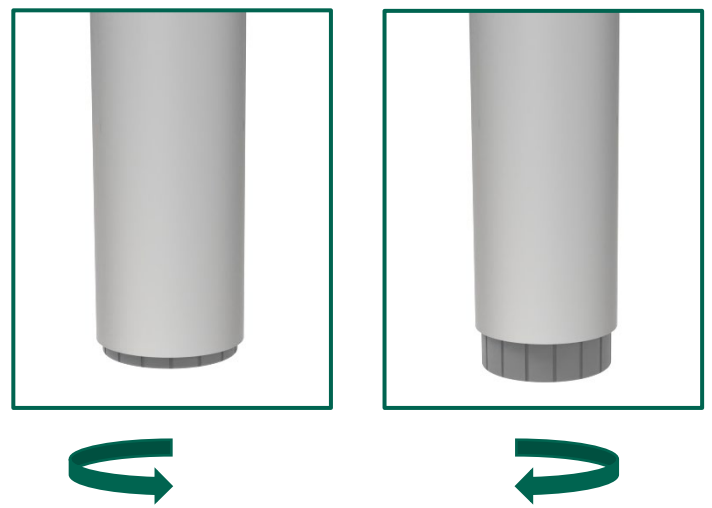
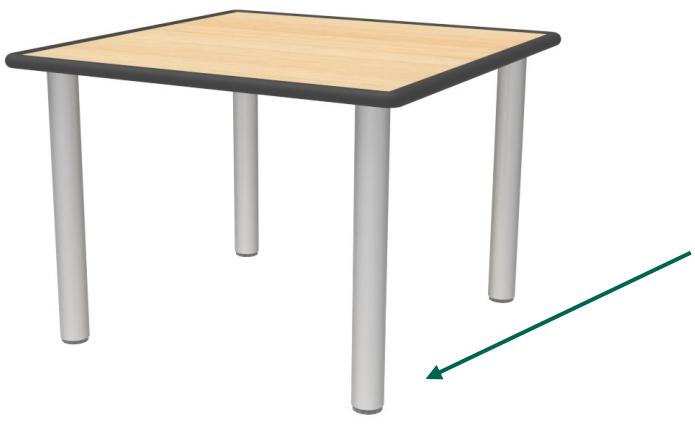
Repeat Step 1&2 for all 4 legs

Step 3

Flip the table onto all 4 legs



Step 4



Spin the glide to raise/lower the legs. Repeat this for all 4 legs until the table is level. .

Your assembly is now complete.

Pier BH Table - FHPL3636/4242/4848

Installation Instructions



Installation Instructions

Pier BH Table

Hardware Required

* Stance Healthcare is not responsible for damages of any kind due to improper installation.



8X Bolt to floor screws of your choice

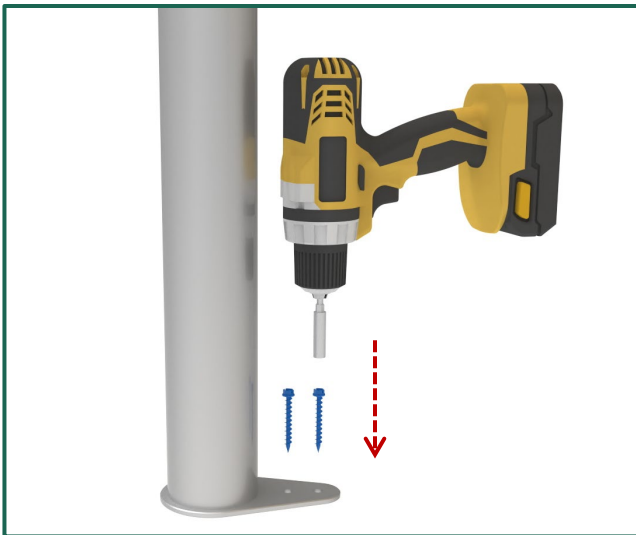
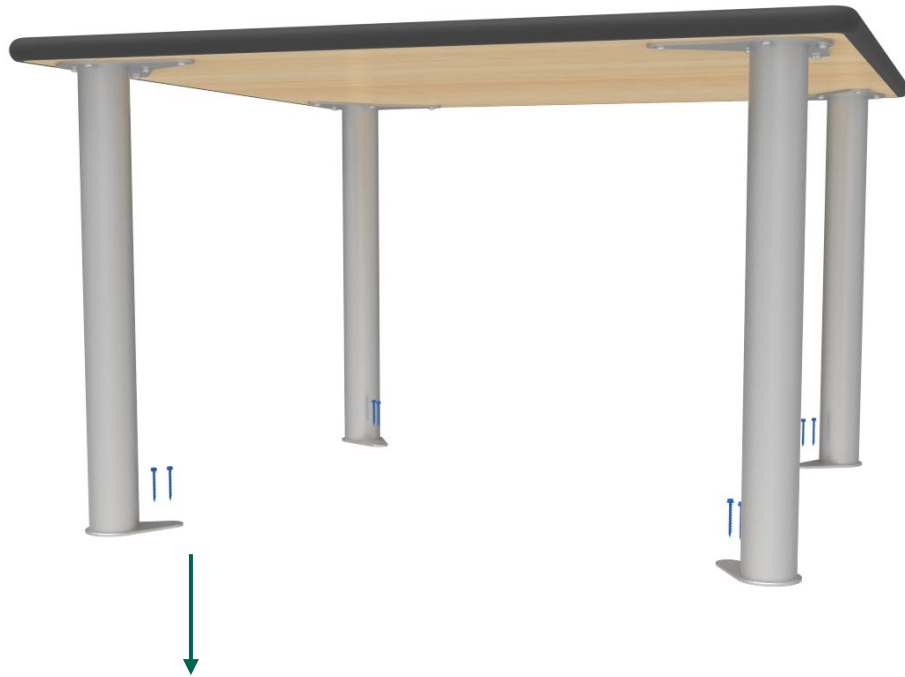
Tools Required



Power Drill w/ Corresponding Bit

Pier BH Table

Step 1



Secure the table to the ground by installing the fasteners through the dedicated mounting holes at the bottom of the leg.

Repeat for all 4 legs

Finish



Your installation is now complete.

Disassembly instructions

Pier BH Table

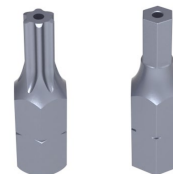
Time Required: Approximately 5 minutes

These instructions may be used to disassemble all Pier BH Table Models

Tools Required

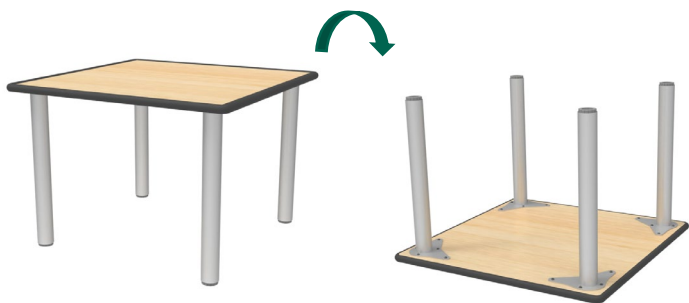
Power Drill (not supplied)

Torx Pin-In bit (not supplied) & Hex Pin-In bit (supplied)

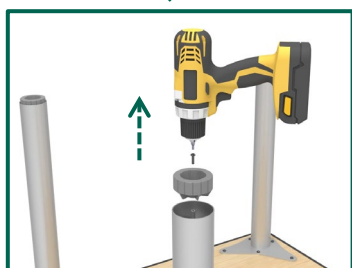
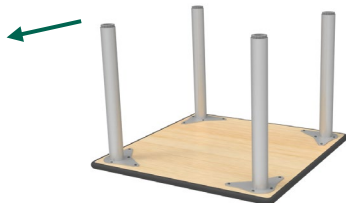
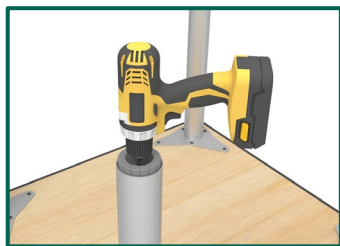


Step 1

Flip the table over onto the top



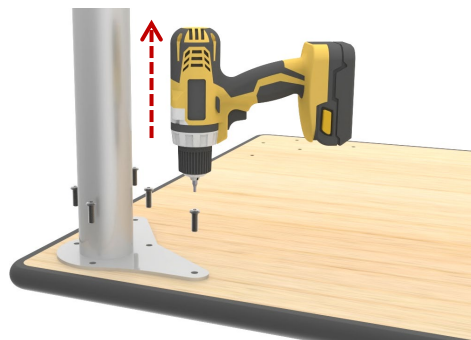
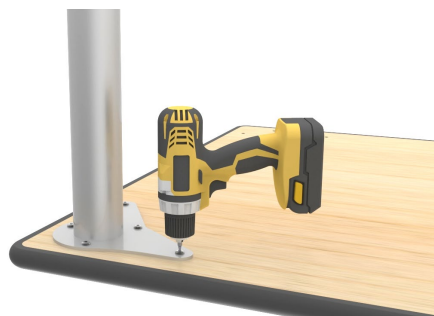
Step 2



Remove the screw located at the center of the glide. Once free remove the glide. Repeat for all 4 legs.

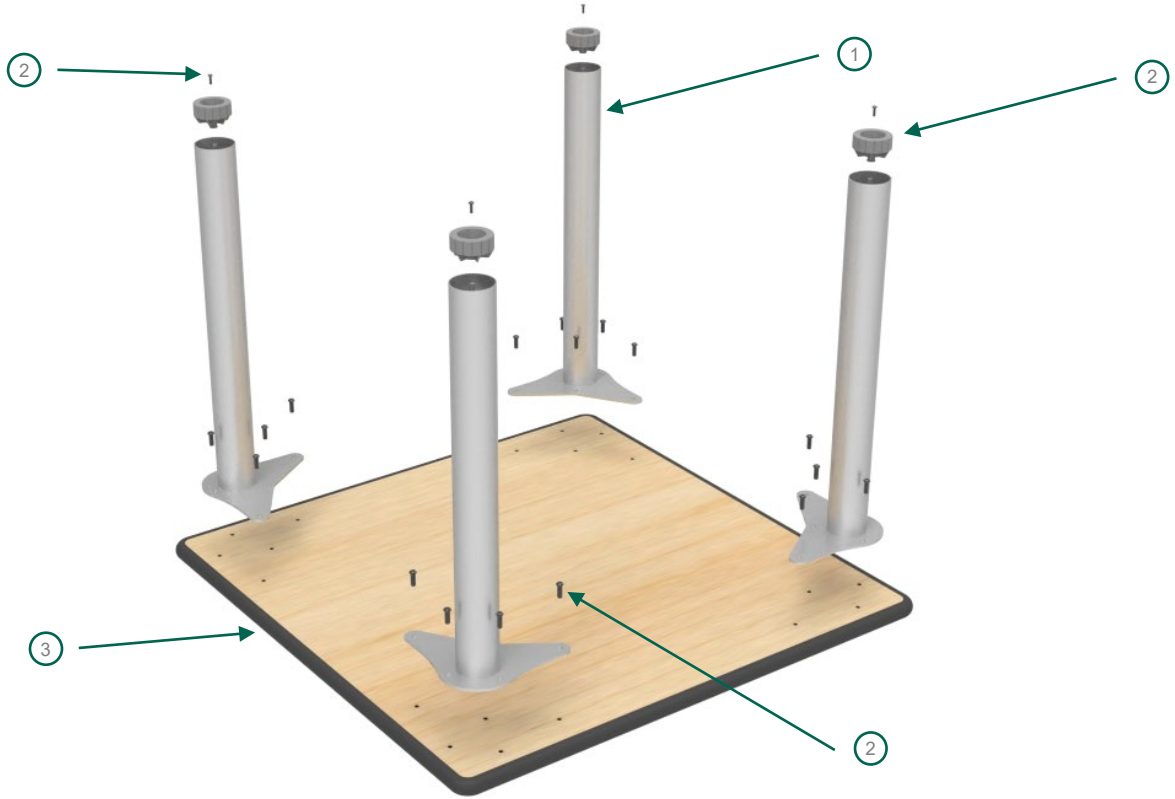
Step 3




Remove all 5 table leg screws. Repeat for all 4 legs.



Material Breakdown

Pier BH Table



Number	Quantity	Component	Material
1	1	Table Leg Weldment	Steel 
2	4	Glides	Nylon
3	1	Table top	Composite Wood / Polyurethane
4	20	Table Leg mounting screws	Steel 
5	4	Glide mounting screws	Steel 

End of Life Recovery Options

Pier BH Table

Identification of Materials		Material Recovery Opportunities		
Material	Example Components	Recycling Note	Higher Value Opportunity	Lower Value Opportunity
Please visit www.recyclingmarkets.net to find a recycling outlet nearest to you				
Plastic				
Nylon (PA)	Glide	Actively recycled into raw polymer by industrial plastic recyclers. It is important to note, however, that recycled plastic markets are highly variable and acceptance of a given material fluctuates based upon multiple factors (e.g. material type, quantity, presence of contaminants, markets for that material, etc). Recycling value is improved with greater quantities and accurate material identification (i.e. identified by base polymer, filler, and additive content)	Recycled PA Re grind	Mixed Thermoplastic Compression Molding
Polyurethane (PU)	Table Top Edging		Recycled PU Re grind	
Metals - Ferrous (e.g. Steel, Iron)				
Steel	Table Leg Weldment, Fasteners	Actively recycled into raw ferrous metal ingot. Ferrous metals are easily separable from other materials through shredding and magnetic separation. Therefore, many metal recyclers will accept ferrous metals which contain small amounts of mixed materials (e.g. plastic, aluminum).	Recycled Steel Ingot	Off Grade Ferrous Ingot
Wood / Biobased Materials				
Laminate	Table top	Not currently actively recycled due to process and economic limitations. Reuse or refurbishment are currently the best options for these materials. As a low value option, the energy content can be reclaimed in a designated waste-to-energy facility equipped with proper pollution control technologies.	Not Actively Recycled (Currently)	Waste to Energy
Plywood	Table Top			